

# UTC TDA2030 LINEAR INTEGRATED CIRCUIT

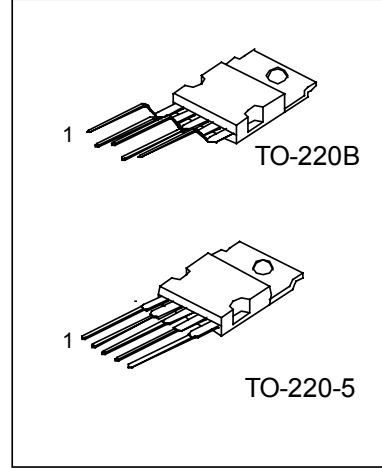
## 14W HI-FI AUDIO AMPLIFIER

### DESCRIPTION

The UTC TDA2030 is a monolithic audio power amplifier integrated circuit.

### FEATURES

- \*Very low external component required.
- \*High current output and high operating voltage.
- \*Low harmonic and crossover distortion.
- \*Built-in Over temperature protection.
- \*Short circuit protection between all pins.
- \*Safety Operating Area for output transistors.



### PIN CONFIGURATIONS

- 1 Non inverting input
- 2 Inverting input
- 3 -VS
- 4 Output
- 5 +VS

### ABSOLUTE MAXIMUM RATINGS(Ta=25°C)

PARAMETER	SYMBOL	VALUE	UNIT
Supply Voltage	Vs	+18	V
Input Voltage	Vi	Vs	V
Differential Input Voltage	Vdi	+15	V
Peak Output Current(internally limited)	Io	3.5	A
Total Power Dissipation at Tcase=90°C	Ptot	20	W
Storage Temperature	Tstg	-40~+150	°C
Junction Temperature	Tj	-40~+150	°C

### ELECTRICAL CHARACTERISTICS(Refer to the test circuit, Vs =+16V,Ta=25°C)

PARAMETER	SYMBOL	TEST CONDITIONS	MIN	TYP	MAX	UNIT
Supply Voltage	Vs		+6		+18	V
Quiescent Drain Current	Id			40	60	mA
Input Bias Current	Ib	Vs=+18v		0.2	2	μA
Input Offset Voltage	Vos			+2	+20	MV
Input Offset Current	Ios			+20	+200	NA

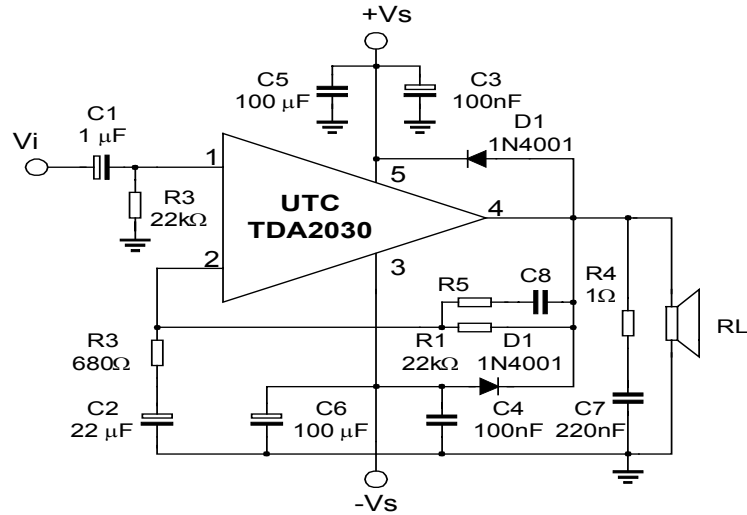
# UTC TDA2030 LINEAR INTEGRATED CIRCUIT

(Continued)

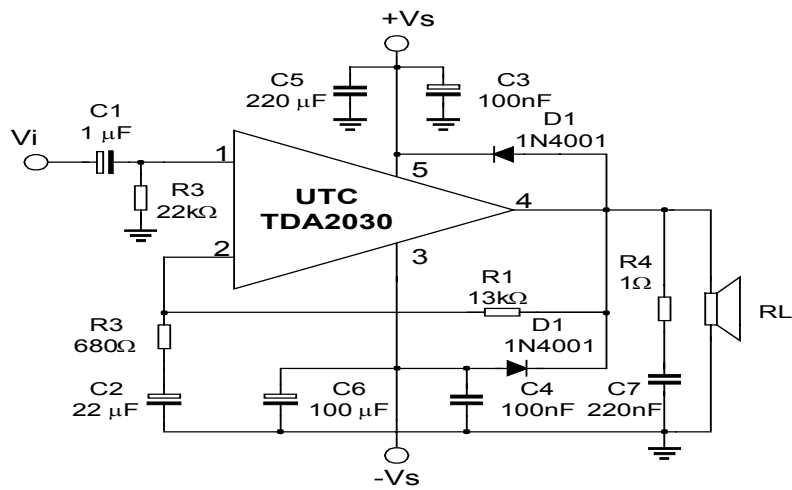
Output Power	Po	d=0.5%, Gv=30dB f=40 to 15,000Hz				
		RL=4Ω	12	14		W
		RL=8Ω	8	9		W
		d=10%, Gv=30dB f=1KHz				
		RL=4Ω		18		W
		RL=8Ω		11		W
Power Bandwidth	B	Po=12W, RL=4Ω, Gv=30dB	10~140,000			Hz
Open Loop Voltage Gain	Gvo			90		dB
Closed Loop Voltage Gain	Gvc	f=1kHz	29.5	30	30.5	dB
Distortion	d	Po=0.1 to 12W, RL=4Ω f=40 to 15,000Hz, Gv=30dB		0.2	0.5	%
		Po=0.1 to 8W, RL=8Ω f=40 to 15,000Hz, Gv=30dB		0.1	0.5	%
Input Noise Voltage	en	B= 22Hz to 22kHz		3	10	μV
Input Noise Current	in	B= 22Hz to 22kHz		80	200	pA
Input Resistance(pin 1)	Ri		0.5	5		MΩ
Supply Voltage Rejection	SVR	RL=4Ω, Gv=30dB Rg=22kΩ, f <sub>ripple</sub> =100Hz, V <sub>ripple</sub> =0.5V <sub>eff</sub>	40	50		dB
Thermal Shut-Down Junction Temperature	Tj			145		°C

# UTC TDA2030 LINEAR INTEGRATED CIRCUIT

## TEST CIRCUIT



## APPLICATION CIRCUIT



# UTC TDA2030 LINEAR INTEGRATED CIRCUIT

## TYPICAL PERFORMANCE CHARACTERISTICS

Fig.2 Open loop frequency response

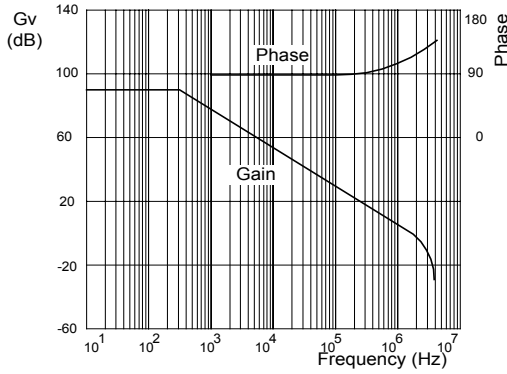


Fig.3 Output power vs. Supply voltage

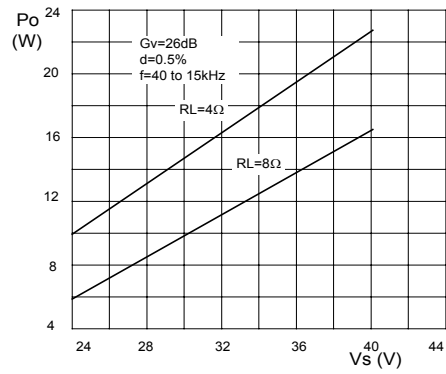


Fig.4 Total harmonic distortion vs. output power

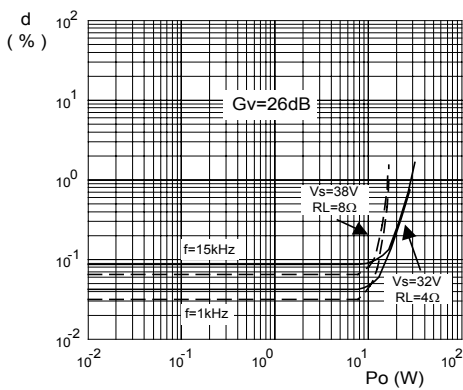


Fig.5 Two tone CCIF intermodulation distortion

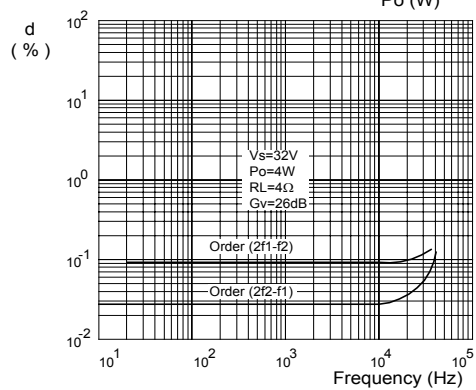


Fig.6 Large signal frequency response

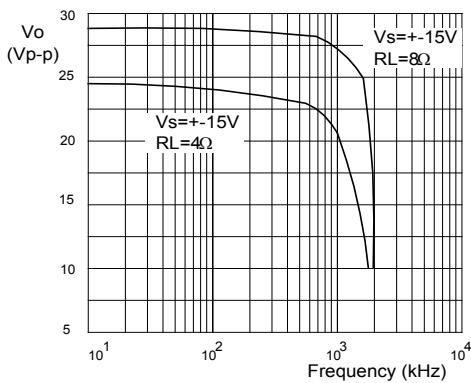
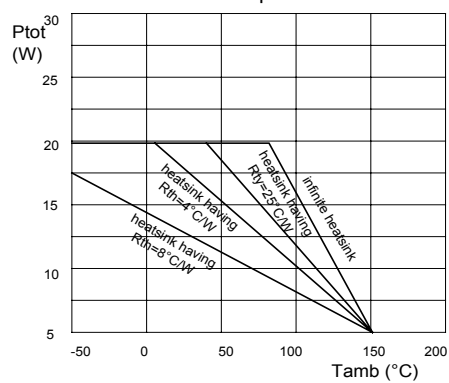


Fig.7 Maximum allowable power dissipation vs. ambient temperature



# UTC TDA2030 LINEAR INTEGRATED CIRCUIT

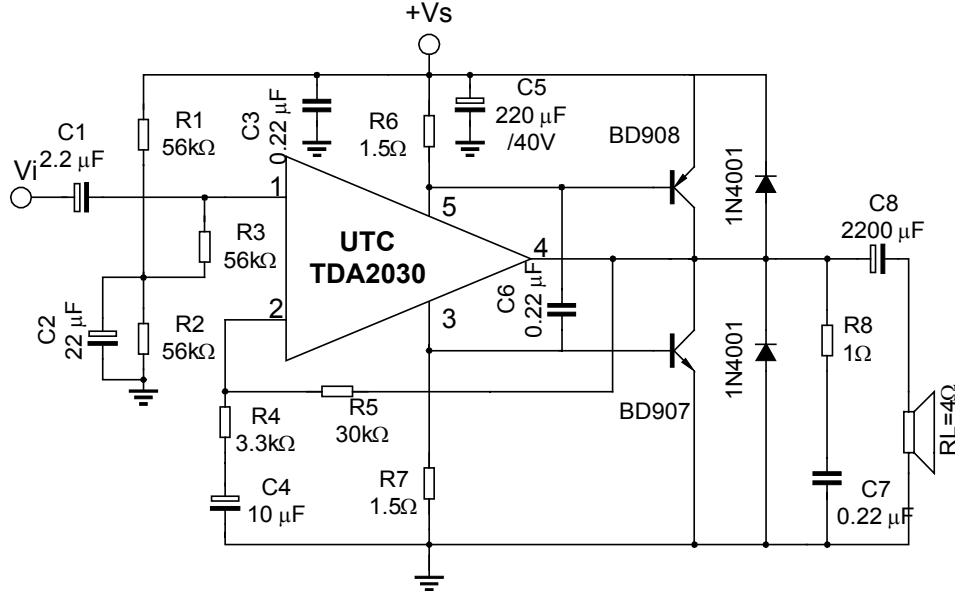


Fig. 8 Single supply high power amplifier(UTC TDA2030+BD908/BD907)

## TYPICAL PERFORMANCE OF THE CIRCUIT OF FIG. 8

PARAMETER	SYMBOL	TEST CONDITIONS	MIN	TYP	MAX	UNIT
Supply Voltage	$V_s$			36	44	V
Quiescent Drain Current	$I_d$	$V_s=36\text{V}$		50		mA
Output Power	$P_o$	$d=0.5\%$ , $R_L=4\Omega$ $f=40\text{Hz}$ to $15\text{kHz}$ , $V_s=39\text{V}$		35		W
		$d=0.5\%$ , $R_L=4\Omega$ $f=40\text{Hz}$ to $15\text{kHz}$ , $V_s=36\text{V}$		28		
		$d=0.5\%$ , $f=1\text{kHz}$ , $R_L=4\Omega$ , $V_s=39\text{V}$		44		
		$d=0.5\%$ , $R_L=4\Omega$ $f=1\text{kHz}$ , $V_s=36\text{V}$		35		
Voltage Gain	$G_v$	$f=1\text{kHz}$	19.5	20	20.5	dB
Slew Rate	SR			8		V/ $\mu\text{sec}$
Total Harmonic Distortion	d	$P_o=20\text{W}$ , $f=1\text{kHz}$		0.02		%
		$P_o=20\text{W}$ , $f=40\text{Hz}$ to $15\text{kHz}$		0.05		%
Input Sensitivity	$V_i$	$G_v=20\text{dB}$ , $P_o=20\text{W}$ , $f=1\text{kHz}$ , $R_L=4\Omega$		890		mV
Signal to Noise Ratio	S/N	$R_L=4\Omega$ , $R_g=10\text{k}\Omega$ B=curve A, $P_o=25\text{W}$		108		dB
		$R_L=4\Omega$ , $R_g=10\text{k}\Omega$ B=curve A, $P_o=25\text{W}$		100		

# UTC TDA2030 LINEAR INTEGRATED CIRCUIT

## TYPICAL PERFORMANCE CHARACTERISTICS

Fig. 10 Output power vs. supply voltage

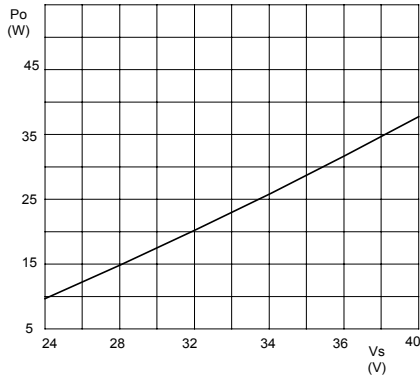


Fig. 11 Total harmonic distortion vs. output power

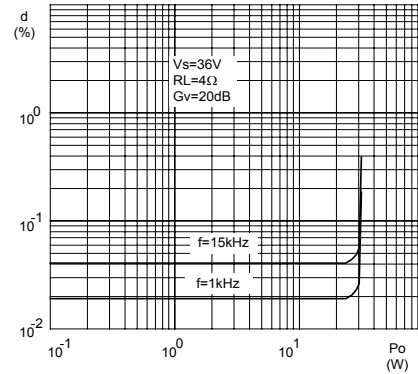


Fig. 12 Output power vs. Input level

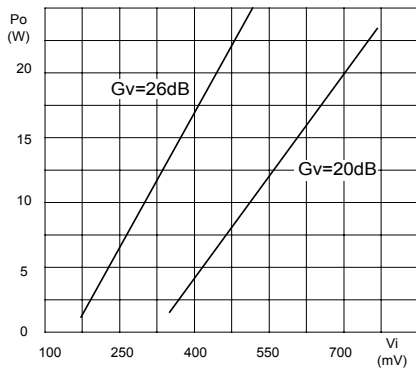
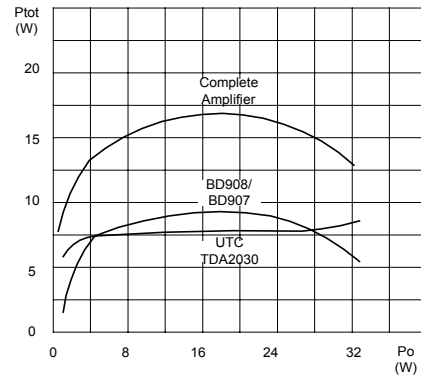


Fig. 13 Power dissipation vs. output power



# UTC TDA2030 LINEAR INTEGRATED CIRCUIT

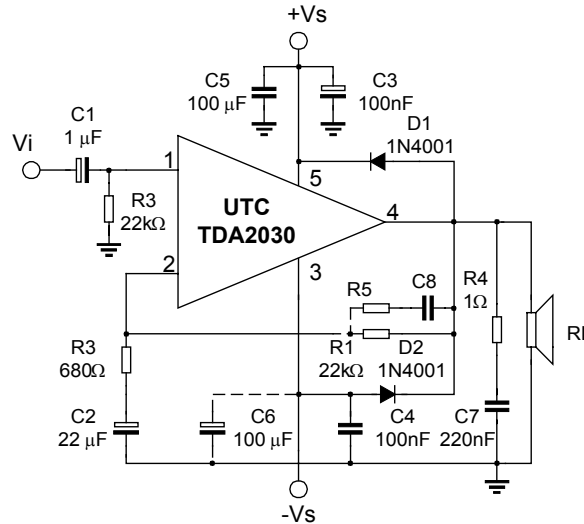


Fig. 14 Typical amplifier with split power supply

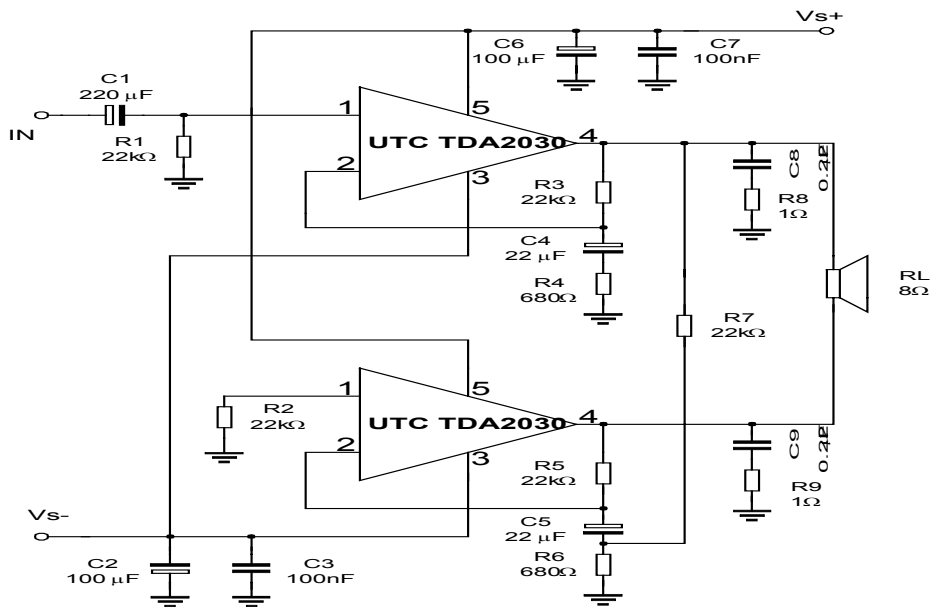


Fig. 16 Bridge amplifier with split power supply ( $P_o=34W, V_s+=16V, V_s-=16V$ )

# UTC TDA2030 LINEAR INTEGRATED CIRCUIT

## MULTIWAY SPEAKER SYSTEMS AND ACTIVE BOXES

Multiway loudspeaker systems provide the best possible acoustic performance since each loudspeaker is specially designed and optimized to handle a limited range of frequencies. Commonly, these loudspeaker systems divide the audio spectrum two or three bands.

To maintain a flat frequency response over the Hi-Fi audio range the bands covered by each loudspeaker must overlap slightly. Imbalance between the loudspeakers produces unacceptable results therefore it is important to ensure that each unit generates the correct amount of acoustic energy for its segments of the audio spectrum. In this respect it is also important to know the energy distribution of the music spectrum to determine the cutoff frequencies of the crossover filters(see Fig. 18).As an example,1 100W three-way system with crossover frequencies of 400Hz and 3kHz would require 50W for the woofer,35W for the midrange unit and 15W for the tweeter.

Both active and passive filters can be used for crossovers but active filters cost significantly less than a good passive filter using aircored inductors and non-electrolytic capacitors. In addition active filters do not suffer from the typical defects of passive filters:

- Power less;
- Increased impedance seen by the loudspeaker(lower damping)
- Difficulty of precise design due to variable loudspeaker impedance.

Obviously, active crossovers can only be used if a power amplifier is provide for each drive unit. This makes it particularly interesting and economically sound to use monolithic power amplifiers.

In some applications complex filters are not relay necessary and simple RC low-pass and high-pass networks(6dB/octave) can be recommended.

The result obtained are excellent because this is the best type of audio filter and the only one free from phase and transient distortion.

The rather poor out of band attenuation of single RC filters means that the loudspeaker must operate linearly well beyond the crossover frequency to avoid distortion.

A more effective solution, named "Active power Filter" by SGS is shown in Fig. 19.

The proposed circuit can realize combined power amplifiers and 12dB/octave or 18dB octave high-pass or low-pass filters.

In proactive, at the input pins amplifier two equal and in-phase voltages are available, as required for the active filter operations.

The impedance at the Pin(-) is of the order of 100Ω,while that of the Pin (+) is very high, which is also what was wanted.

Fig. 18 Power distribution vs. frequency

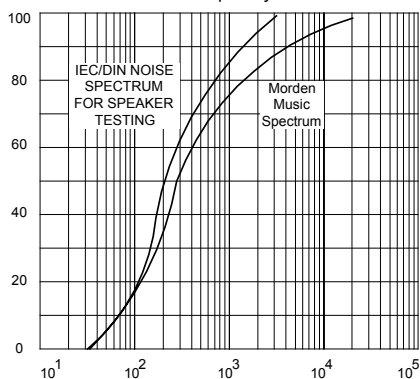
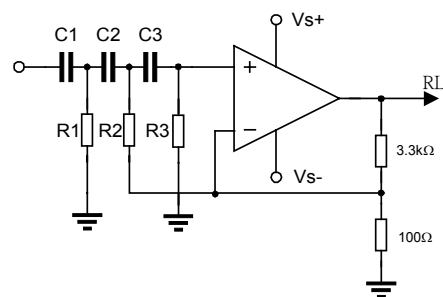


Fig. 19 Active power filter





# UTC TDA2030 LINEAR INTEGRATED CIRCUIT

The components values calculated for  $f_c=900\text{Hz}$  using a Bessel 3rd Sallen and Key structure are:

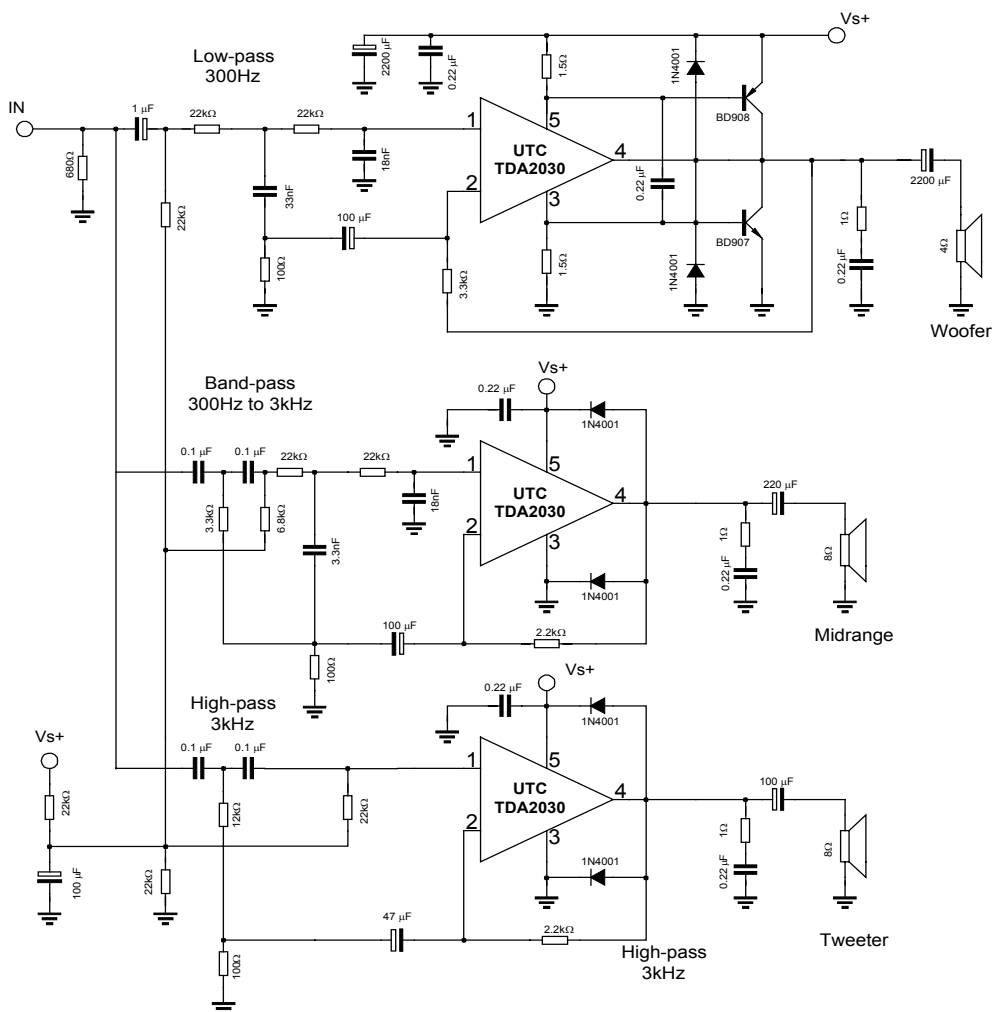
$$C1=C2=C3=22\text{nF}, R1=8.2\text{K}\Omega, R2=5.6\text{K}\Omega, R3=33\text{K}\Omega.$$

Using this type of crossover filter, a complete 3-way 60W active loudspeaker system is shown in Fig. 20.

It employs 2nd order Butterworth filter with the crossover frequencies equal to 300Hz and 3kHz.

The midrange section consists of two filters a high pass circuit followed by a low pass network. With  $V_s=36\text{V}$  the output power delivered to the woofer is 25W at  $d=0.06\%$  (30W at  $d=0.5\%$ ). The power delivered to the midrange and the tweeter can be optimized in the design phase taking in account the loudspeaker efficiency and impedance ( $R_L=4\Omega$  to  $8\Omega$ ).

It is quite common that midrange and tweeter speakers have an efficiency 3dB higher than woofers.



# UTC TDA2030 LINEAR INTEGRATED CIRCUIT

## MUSICAL INSTRUMENTS AMPLIFIERS

Another important field of application for active system is music.

In this area the use of several medium power amplifiers is more convenient than a single high power amplifier, and it is also more reliable. A typical example(see Fig. 21) consist of four amplifiers each driving a low-cost, 12 inch loudspeaker. This application can supply 80 to 160W rms.

## TRANSIENT INTER-MODULATION DISTORTION(TIM)

Transient inter-modulation distortion is an unfortunate phenomena associated with negative-feedback amplifiers. When a feedback amplifier receives an input signal which rises very steeply, i.e. contains high-frequency components, the feedback can arrive too late so that the amplifiers overloads and a burst of inter-modulation distortion will be produced as in Fig.22.Since transients occur frequently in music this obviously a problem for the designed of audio amplifiers. Unfortunately, heavy negative feedback is frequently used to reduce the total harmonic distortion of an amplifier, which tends to aggravate the transient inter-modulation(TIM situation.)The best known

Fig.21 High power active box for musical instrument

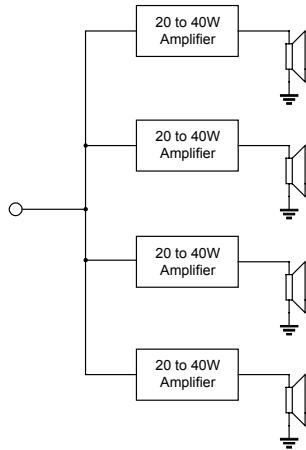
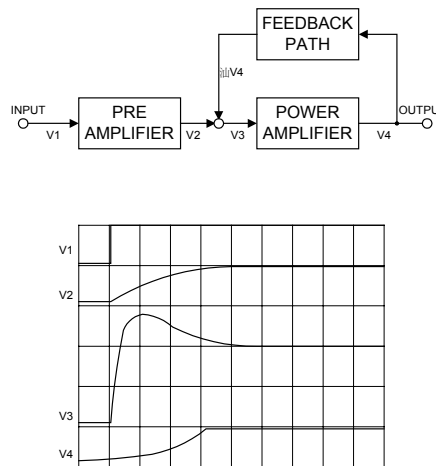


Fig.22 Overshoot phenomenon in feedback amplifiers



method for the measurement of TIM consists of feeding sine waves superimposed onto square waves, into the amplifier under test. The output spectrum is then examined using a spectrum analyzer and compared to the input. This method suffers from serious disadvantages: the accuracy is limited, the measurement is a rather delicate operation and an expensive spectrum analyzer is essential. A new approach (see Technical Note 143(Applied by SGS to monolithic amplifiers measurement is fast cheap, it requires nothing more sophisticated than an oscilloscope-and sensitive-and it can be used down to the values as low as 0.002% in high power amplifiers.

The "inverting-sawtooth" method of measurement is based on the response of an amplifier to a 20KHz saw-tooth wave-form. The amplifier has no difficulty following the slow ramp but it cannot follow the fast edge. The output will follow the upper line in Fig.23 cutting of the shade area and thus increasing the mean level. If this output signal is filtered to remove the saw-tooth, direct voltage remains which indicates the amount of TIM distortion, although it is difficult to measure because it is indistinguishable from the DC offset of the amplifier. This problem is neatly avoided in the IS-TIM method by periodically inverting the saw-tooth wave-form at a low audio frequency as shown in Fig.24.Inthe case of the saw-tooth in Fig. 25 the means level was increased by the TIM distortion, for a saw-tooth in the other direction the opposite is true.

# UTC TDA2030 LINEAR INTEGRATED CIRCUIT

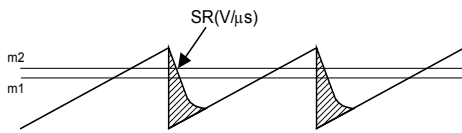


Fig. 23 20kHz sawtooth waveform

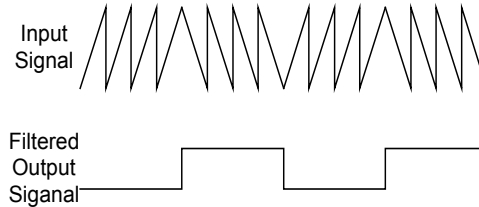


Fig. 24 Inverting sawtooth waveform

The result is an AC signal at the output whose peak-to-peak value is the TIM voltage, which can be measured easily with an oscilloscope. If the peak-to-peak value of the signal and the peak-to-peak of the inverting sawtooth are measured, the TIM can be found very simply from:

$$TIM = \frac{V_{OUT}}{V_{sawtooth}} * 100$$

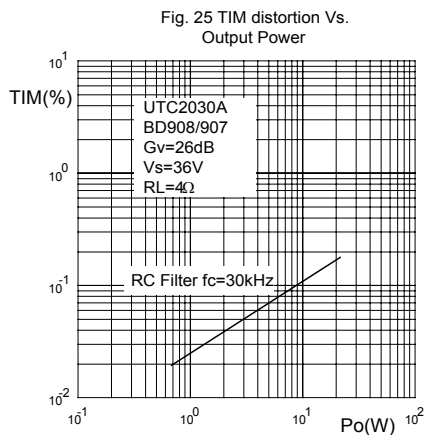


Fig. 25 TIM distortion Vs. Output Power

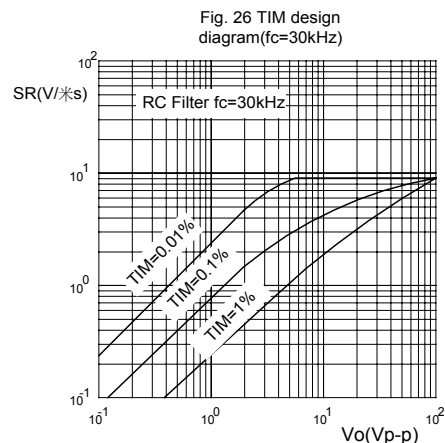


Fig. 26 TIM design diagram (fc=30kHz)

In Fig. 25 The experimental results are shown for the 30W amplifier using the UTC2030A as a driver and a low-cost complementary pair. A simple RC filter on the input of the amplifier to limit the maximum signal slope (SS) is an effective way to reduce TIM.

The Diagram of Fig. 26 originated by SGS can be used to find the Slew-Rate (SR) required for a given output power or voltage and a TIM design target.

For example if an anti-TIM filter with a cutoff at 30kHz is used and the max. Peak to peak output voltage is 20V then, referring to the diagram, a Slew-Rate of 6V/μs is necessary for 0.1% TIM.

As shown Slew-Rates of above 10V/μs do not contribute to a further reduction in TIM.

Slew-Rates of 100V/μs are not only useless but also a disadvantage in hi-fi audio amplifiers because they tend to turn the amplifier into a radio receiver.

## POWER SUPPLY

Using monolithic audio amplifier with non regulated supply correctly. In any working case it must provide a supply voltage less than the maximum value fixed by the IC breakdown voltage.

# UTC TDA2030 LINEAR INTEGRATED CIRCUIT

It is essential to take into account all the working conditions, in particular mains fluctuations and supply voltage variations with and without load. The UTC2030( $V_{smax}=44V$ ) is particularly suitable for substitution of the standard IC power amplifiers(with  $V_{smax}=36V$ ) for more reliable applications.

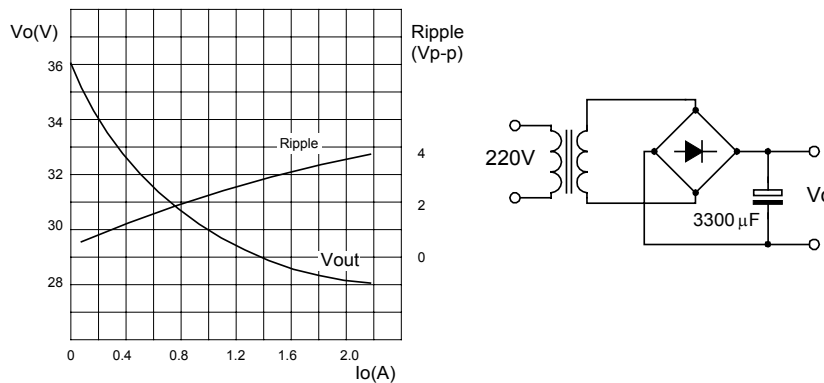
An example, using a simple full-wave rectifier followed by a capacitor filter, is shown in the table and in the diagram of Fig.27.

A regulated supply is not usually used for the power output stages because of its dimensioning must be done taking into account the power to supply in signal peaks. They are not only a small percentage of the total music signal, with consequently large overdimensioning of the circuit.

Even if with a regulated supply higher output power can be obtained( $V_s$  is constant in all working conditions),the additional cost and power dissipation do not usually justify its use. using non-regulated supplies, there are fewer designee restriction. In fact, when signal peaks are present, the capacitor filter acts as a flywheel supplying the required energy.

In average conditions, the continuous power supplied is lower. The music power/continuous power ratio is greater in case than for the case of regulated supplied, with space saving and cost reduction.

Fig.27 DC characteristics of 50W non-regulated supply



Mains(220V)	Secondary Voltage	DC Output Voltage( $V_o$ )		
		$I_o=0$	$I_o=0.1A$	$I_o=1A$
+20%	28.8V	43.2V	42V	37.5V
+15%	27.6V	41.4V	40.3V	35.8V
+10%	26.4V	39.6V	38.5V	34.2V
—	24V	36.2V	35V	31V
-10%	21.6V	32.4V	31.5V	27.8V
-15%	20.4V	30.6V	29.8V	26V
-20%	19.2V	28.8V	28V	24.3

# UTC TDA2030 LINEAR INTEGRATED CIRCUIT

## SHORT CIRCUIT PROTECTION

The UTC TDA2030 has an original circuit which limits the current of the output transistors. This function can be considered as being peak power limiting rather than simple current limiting. It reduces the possibility that the device gets damaged during an accidental short circuit from AC output to Ground.

## THERMAL SHUT-DOWN

The presence of a thermal limiting circuit offers the following advantages:

- 1).An overload on the output (even if it is permanent),or an above limit ambient temperature can be easily supported since the  $T_j$  can not be higher than  $150^{\circ}\text{C}$
- 2).The heatsink can have a smaller factor of safety compared with that of a congenital circuit, There is no possibility of device damage due to high junction temperature increase up to 150, the thermal shut-down simply reduces the power dissipation and the current consumption.

## APPLICATION SUGGESTION

The recommended values of the components are those shown on application circuit of Fig.14. Different values can be used. The following table can help the designer.

COMPONENT	RECOMMENDED VALUE	PURPOSE	LARGE THAN RECOMMENDED VALUE	LARGE THAN RECOMMENDED VALUE
R1	22K $\Omega$	Closed loop gain setting.	Increase of Gain	Decrease of Gain
R2	680 $\Omega$	Closed loop gain setting.	Decrease of Gain	Increase of Gain
R3	22K $\Omega$	Non inverting input biasing	Increase of input impedance	Decrease of input impedance
R4	1 $\Omega$	Frequency stability	Danger of oscillation at high frequencies with inductive loads.	
R5	$\approx 3R_2$	Upper frequency cutoff	Poor high frequencies attenuation	Dange of oscillation
C1	1 $\mu\text{F}$	Input DC decoupling		Increase of low frequencies cutoff
C2	22 $\mu\text{F}$	Inverting DC decoupling		Increase of low frequencies cutoff
C3,C4	0.1 $\mu\text{F}$	Supply voltage bypass		Dange of oscillation
C5,C6	100 $\mu\text{F}$	Supply voltage bypass		Dange of oscillation
C7	0.22 $\mu\text{F}$	Frequency stability		Larger bandwidth
C8	$\approx 1/(2\pi \cdot B \cdot R_1)$	Upper frequency cutoff	smaller bandwidth	Larger bandwidth
D1,D2	1N4001	To protect the device against output voltage spikes.		